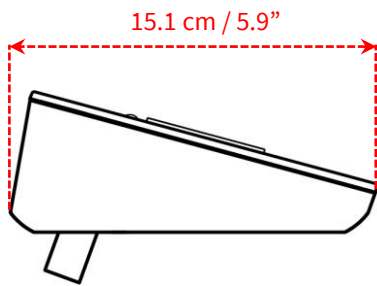
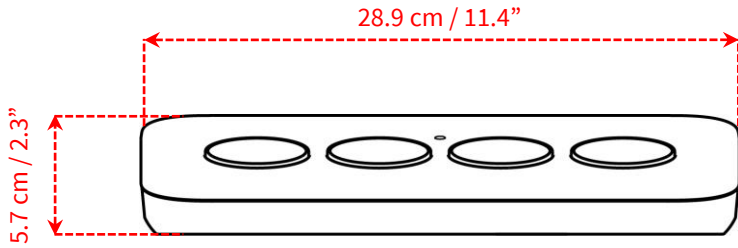


Smiley Terminal Technical Data Sheet

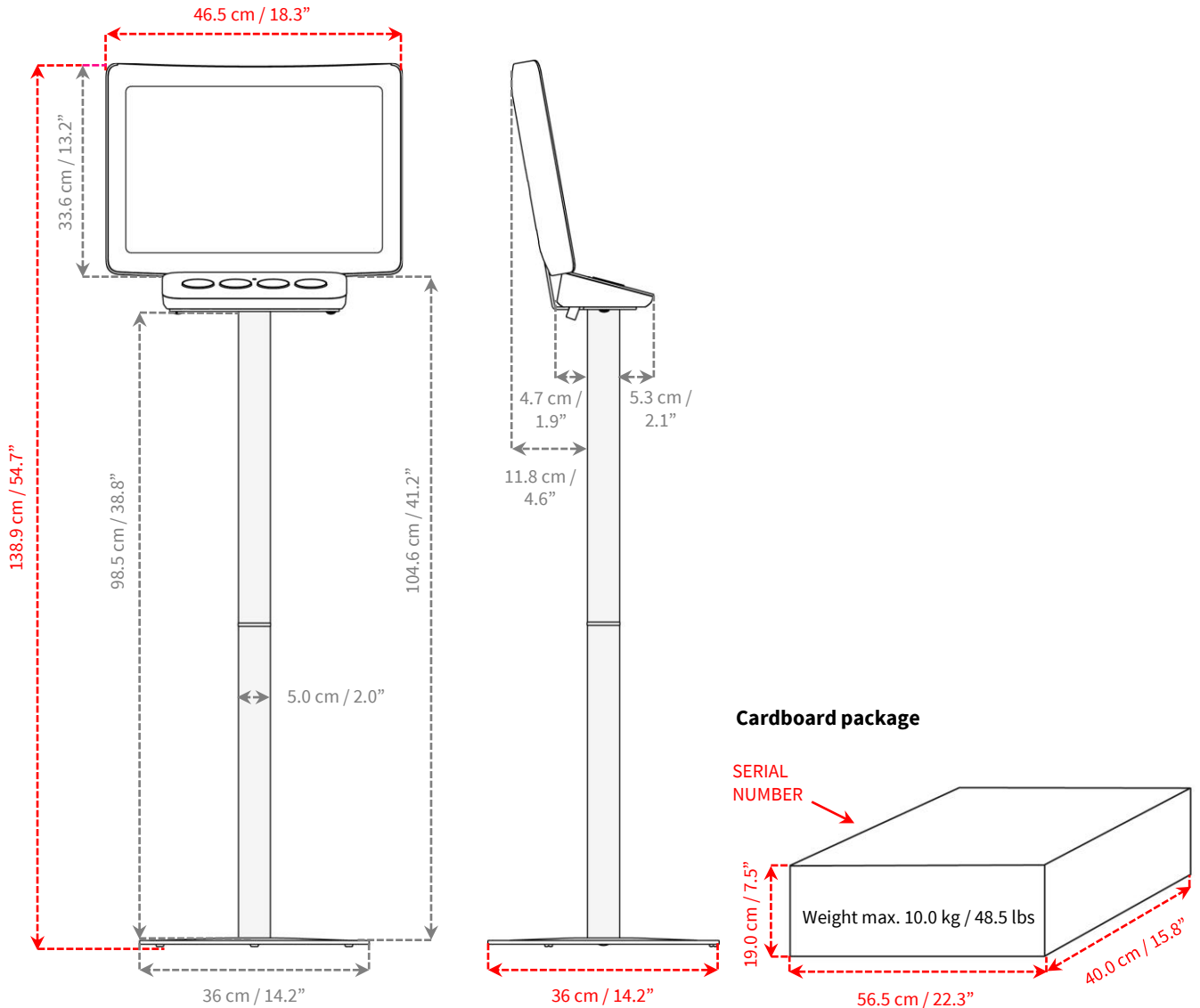
1. USER INTERFACE (Type V3) | DIMENSIONS



Weight without batteries: 1.0 kg / 2.3 lbs
Batteries: 3xLR20, 432 g / 1.0 lbs

Smiley Terminal Technical Data Sheet

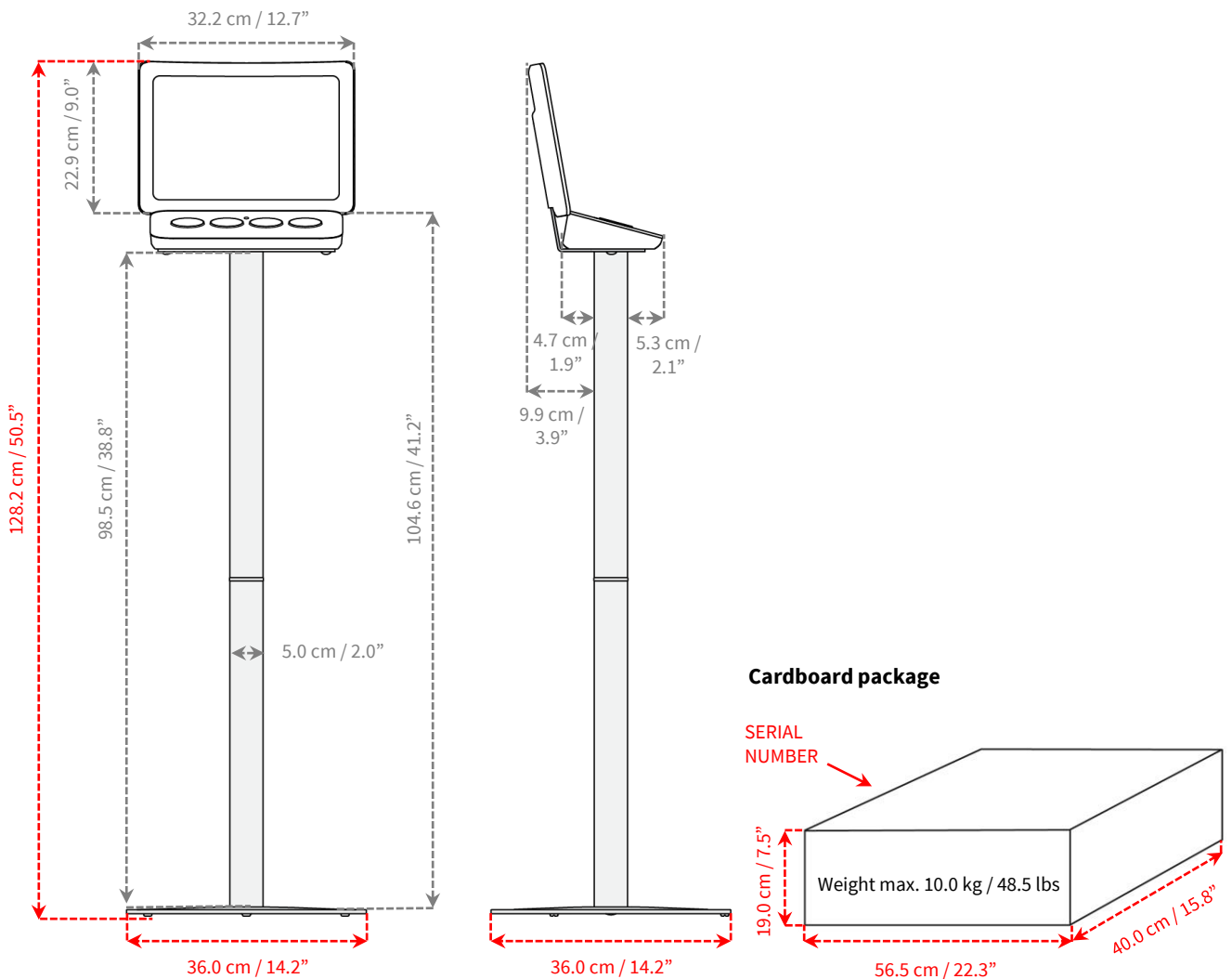
2. STANDARD LEG (WITH A3) | DIMENSIONS



Weight:	8.5 kg / 18.8 lbs
Total height:	138.9 cm / 54.7"
Dimensions (HxWxD):	138.9 x 46.5 x 36.0 cm / 54.7 x 18.3 x 14.2"
Question sheet size:	A3 / Ledger
Package dimensions (HxWxD):	19.0 x 56.5 x 40.0 cm / 7.5 x 22.3 x 15.8"
Package weight:	10.0 kg / 48.5 lbs

Smiley Terminal Technical Data Sheet

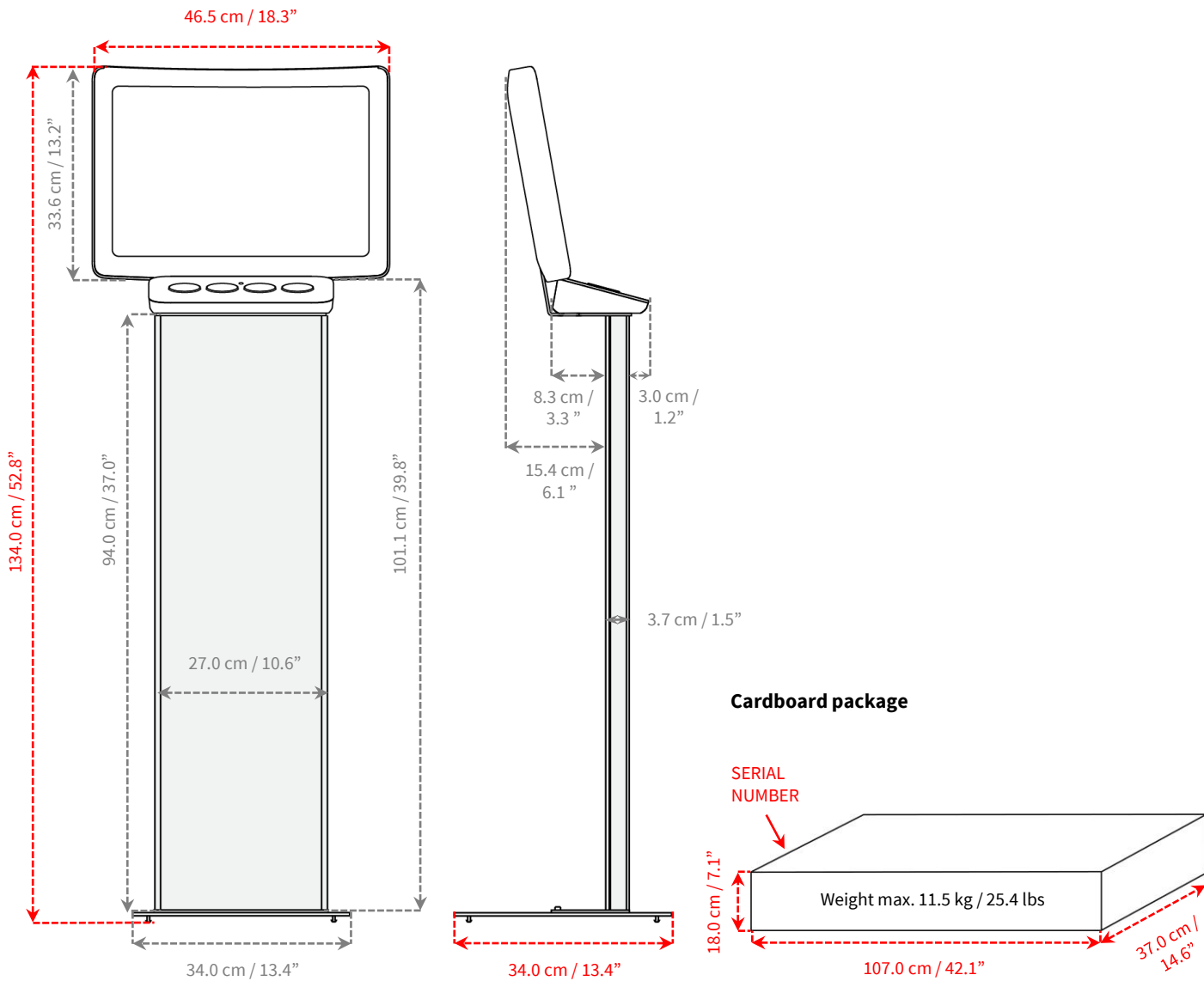
3. STANDARD LEG (WITH A4) | DIMENSIONS



Weight:	8.0 kg / 18.7 lbs
Total height:	128.2 cm / 50.5"
Dimensions (HxWxD):	128.2 x 36.0 x 36.0 cm / 50.5 x 14.2 x 14.2"
Question sheet size:	A4 / Letter
Package dimensions (HxWxD):	19.0 x 56.5 x 40.0 cm / 7.5 x 22.3 x 15.8"
Package weight:	10.0 kg / 48.5 lbs

Smiley Terminal Technical Data Sheet

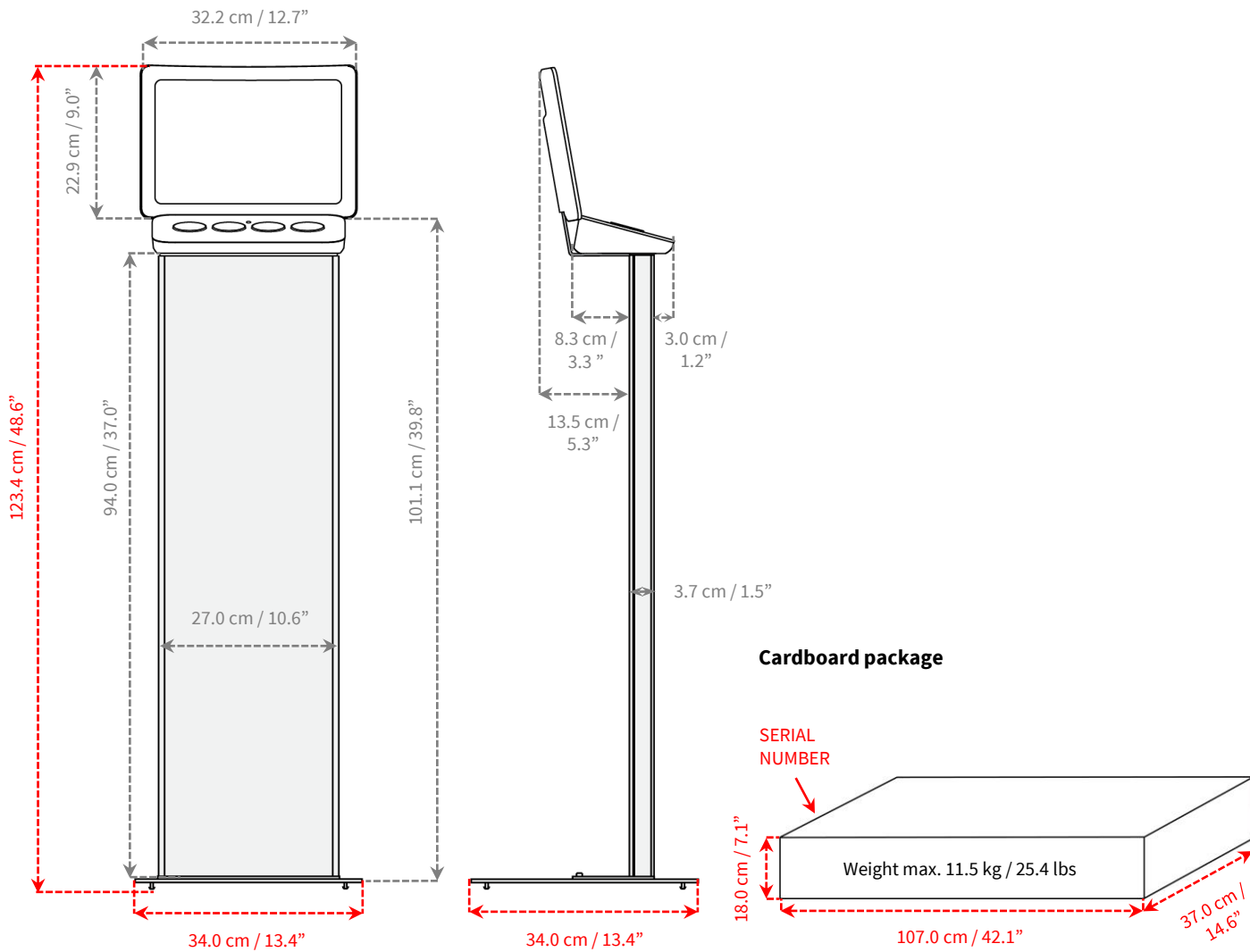
4. BRANDING LEG (WITH A3) | DIMENSIONS



Weight:	9.2 kg / 20.3 lbs
Total height:	134.0 cm / 52.8"
Dimensions (HxWxD):	134.0 x 46.5 x 34.0 cm / 52.8 x 18.3 x 13.4"
Question sheet size:	A3 / Ledger
Package dimensions (HxWxD):	18.0 x 107.0 x 37.0 cm / 7.1 x 42.1 x 14.6"
Package weight:	11.5 kg / 25.4 lbs

Smiley Terminal Technical Data Sheet

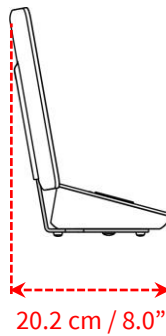
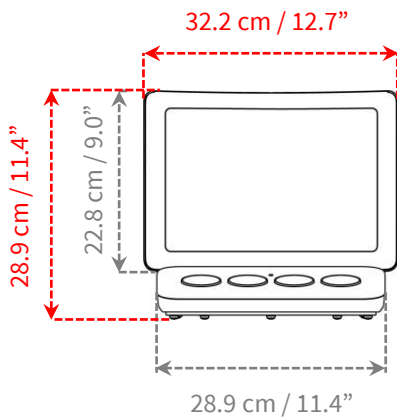
5. BRANDING LEG (WITH A4), DIMENSIONS



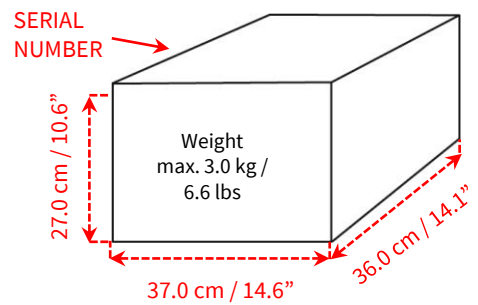
Weight:	8.7 kg / 19.2 lbs
Total height:	123.4 cm / 48.6"
Dimensions (HxWxD):	123.4 x 34.0 x 34.0 cm / 48.6 x 13.4 x 13.4"
Question sheet size:	A4 / Letter
Package dimensions (HxWxD):	18.0 x 107.0 x 37.0 cm / 7.1 x 42.1 x 14.6"
Package weight:	11.5 kg / 25.4 lbs

Smiley Terminal Technical Data Sheet

6. SMILEY TERMINAL TABLE | DIMENSIONS



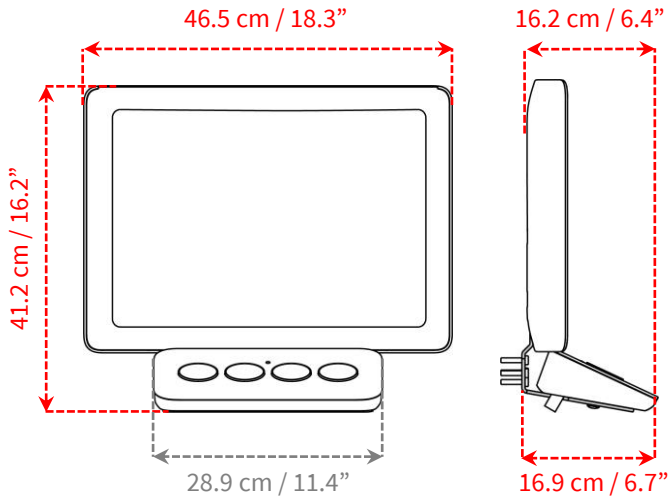
Cardboard package



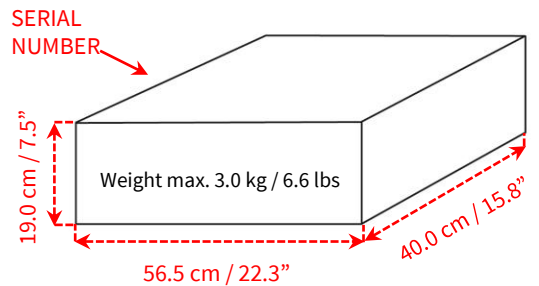
Weight:	1.9 kg / 4.2 lbs
Total height:	28.9 cm / 11.4"
Dimensions (HxWxD):	28.9 x 32.2 x 20.2 cm / 11.4 x 12.7 x 8.0"
Question sheet size:	A4 / Letter
Package dimensions (HxWxD):	27.0 x 37.0 x 36.0 cm / 10.6 x 14.6 x 14.1"
Package weight:	3.0 kg / 6.6 lbs

Smiley Terminal Technical Data Sheet

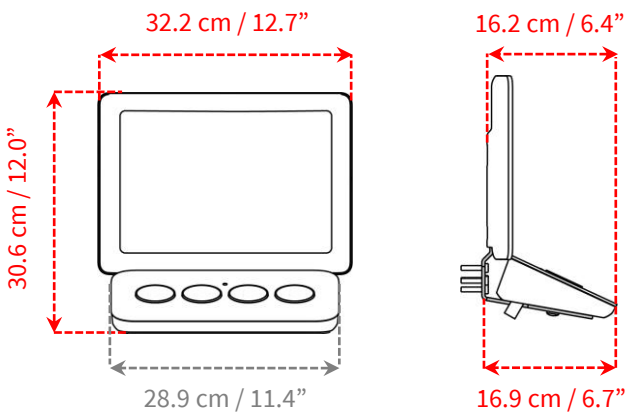
7. SMILEY TERMINAL WALL | DIMENSIONS



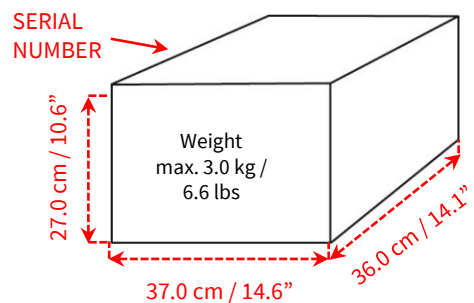
Cardboard package



Weight: 1.9 kg / 4.2 lbs
Total height: 41.2 cm / 16.2"
Dimensions (HxWxD): 41.2 x 46.5 x 16.9 cm / 16.2 x 18.3 x 6.7"
Question sheet size: A3 / Ledger
Package dimensions (HxWxD): 19.0 x 56.5 x 40.0 cm / 7.5 x 22.3 x 15.8"
Package weight: 3.0 kg / 6.6 lbs



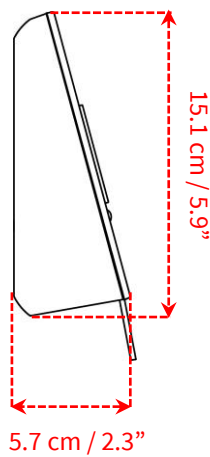
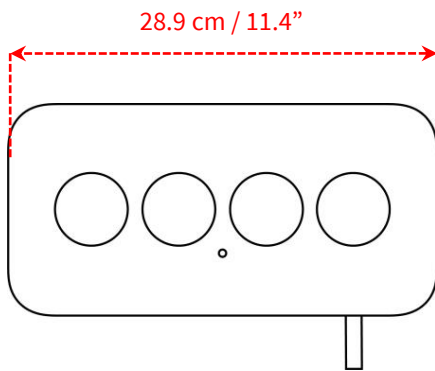
Cardboard package



Weight: 1.9 kg / 4.2 lbs
Total height: 30.6 cm / 12.0"
Dimensions (HxWxD): 30.6 x 32.2 x 16.9 cm / 12.0 x 12.7 x 6.7"
Question sheet size: A4 / Letter
Package dimensions (HxWxD): 27.0 x 37.0 x 36.0 cm / 10.6 x 14.6 x 14.1"
Package weight: 3.0 kg / 6.6 lbs

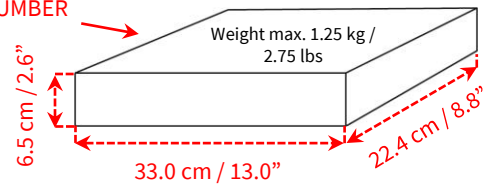
Smiley Terminal Technical Data Sheet

8. SMILEY WALL (Type X3) | DIMENSIONS



Cardboard package

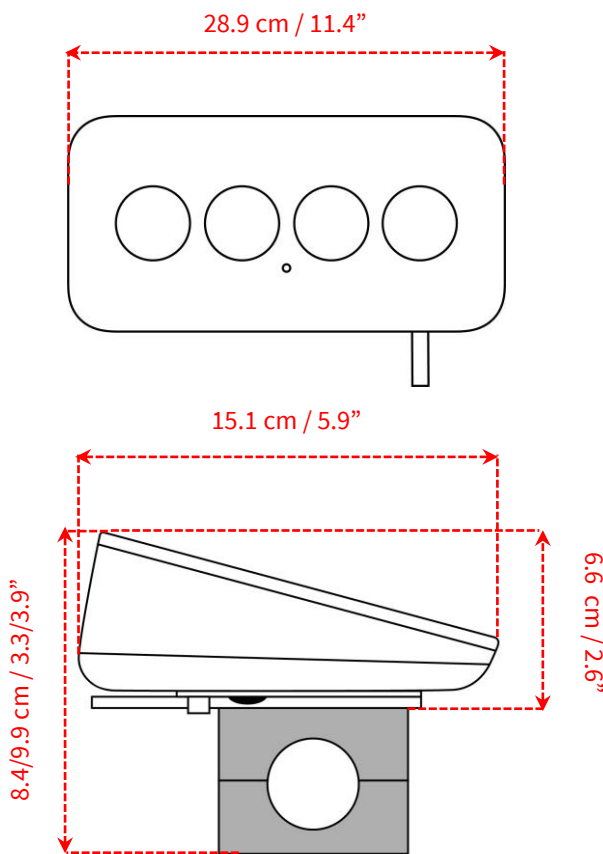
SERIAL NUMBER



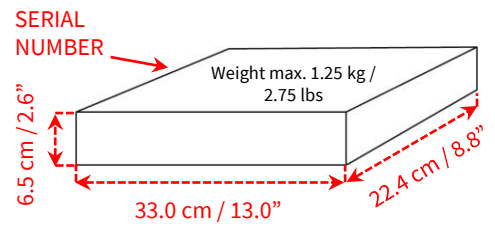
Weight without batteries:	1.0 kg / 2.3 lbs
Batteries:	3xLR20, 432 g/ 1.0 lbs
Dimensions (HxWxD):	15.1 x 28.9 x 5.7 cm / 5.9 x 11.4 x 2.3"
Package dimensions (HxWxD):	6.5 x 33.0 x 22.4 cm / 2.6 x 13.0 x 8.8"
Package weight:	1.25 kg / 2.75 lbs

Smiley Terminal Technical Data Sheet

9. SMILEY RAIL | DIMENSIONS







Cardboard package



Weight without batteries:	1.0 kg / 2.3 lbs
Batteries:	3xLR20, 432 g/ 1.0 lbs
Dimensions (HxWxD):	6.6 x 15.1 x 8.4/9.9 cm / 2.6 x 5.9 x 3.3/3.9"
Package dimensions (HxWxD):	6.5 x 33.0 x 22.4 cm / 2.6 x 13.0 x 8.8" ??????
Package weight:	1.25 kg / 2.75 lbs ????????

Smiley Terminal Technical Data Sheet

9. TECHNICAL SPECIFICATIONS

Model	HON540 V3-8 HON540 X3-8	HON540 V3-A HON540 X3-A	HON540 V3-B HON540 X3-B	HON540 V3-C HON540 X3-C
Power / Current	Battery powered 3*D cell (LR20). Max curren 500mA	Battery powered 3*D cell (LR20). Max curren 500mA	Battery powered 3*D cell (LR20). Max curren 500mA	Battery powered 3*D cell (LR20). Max curren 500mA
IP class	IP31	IP31	IP31	IP31
Operating temperature	0 – +50°C (32F – 122F)	0 – +50°C (32F – 122F)	0 – +50°C (32F – 122F)	0 – +50°C (32F – 122F)
Approvals	 FCCID:XPY2AGQN4NNN ISED: 8595A-2AGQN4NNN Verizon	 FCCID: XPYUBX19KM01 ISED:8595A-UBX19KM01 Verizon		 FCCID: XPYUBX19KM01 ISED:8595A-UBX19KM01
Flammability	UL94 V0 Question sheet holder HB	UL94 V0 Question sheet holder HB	UL94 V0 Question sheet holder HB	UL94 V0 Question sheet holder HB
Frequency bands				
	Cat M1 bands 1, 2, 3, 4, 5, 8, 12, 13, 18, 19, 20, 25, 26, 28	Cat M1 bands 1, 2, 3, 4, 5, 8, 12, 13, 18, 19, 20, 25, 26, 28	Cat NB2 bands 3, 5, 8, 20, 28, 1, 2, 4, 12, 13, 18, 19, 26, 66, 71, 85	Cat M1 bands 1, 2, 3, 4, 5, 8, 12, 13, 18, 19, 20, 25, 26, 28, 66, 71
				Cat NB2 bands 1,3,8,20,28, 2,4,5,8,12,13,66,71,85